

ABS submersible sludge pump XJS 40

GB 50

Specification

Electric submersible pump.
 Maximum submergence: 20 m. • Protection class IP 68.
 Max temperature of pumped medium at max power input and continuous duty 40 °C.
 Max medium density 1100 kg/m³. • pH of the pumped medium 5-8.
 Free passage: 45 x 55 mm.
 Max number of starts 30/hour.
 Min impeller diameter for duty with low water level or intermittent dry running. Max impeller diameter requires half motor or more submersed for continuous duty. (Pump can operate lying down.)

XJS 40 D -143, 3-phase

XJS 40 D -143 AT*, 3-phase

XJS 40 D -160, 3-phase

XJS 40 D -160 AT*, 3-phase

*AquaTronic: Built in electronic pump control as option.

Electric Motor

3-phase squirrel-cage induction motor, 50 Hz
 Service factor 1.1. Class F insulation.
 Motor rating P₂: 3.7 kW. 2 pol, Speed: 2860 rpm
 η: 85.8 (50 %), 87.1 (75 %), 86.9 (100 % load)

Voltage, V	230	400	500	1000
Nominal current, A	13.2	7.6	6.1	3.0

Starting Method and Motor Protection

XJS 40 AT: Direct on line start (DOL 230-500 V) with built in AquaTronic unit, which automatically adjusts phase order by dual contactors, ensuring correct motor rotation. The AquaTronic unit monitors motor temperature, by use of NTC thermistors built into stator windings, and stops the motor at high temperature. It will also stop the motor at high amperage or if a phase is missing.

XJS 40: Direct on line start with built in contactor. Pumps to be used with VFD or 1000 V must have terminal block instead of contactor. Thermal switches (140 °C, ±5) built into the stator windings are connected to the contactor and stops the pump at high temperature.

Power Cable

20 m type S1BN8-F (standard cable):
 4 x 1.5 sq.mm. (230-500 V)

20 m type NSSHÖU.../3E (heavy duty cable):
 3x2.5+3x2.5/3E+3x1.5 (3 control cables included) (1000 V or terminal block)
 3x1.5+3x1.5/3E (230-500 V)

Shaft Seal

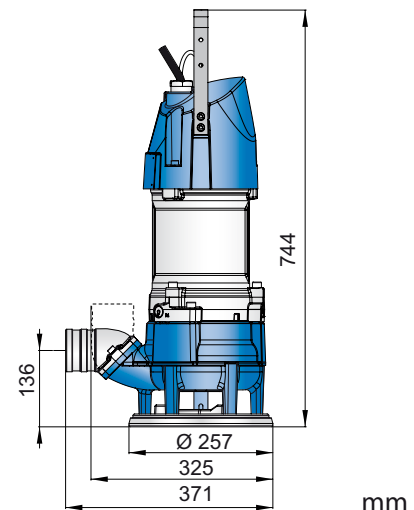
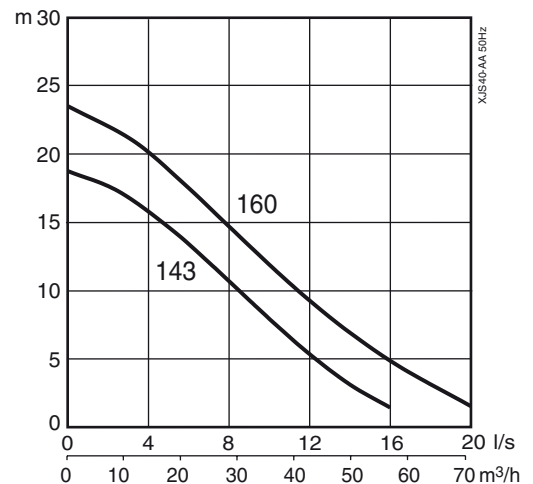
Double mechanical seal in oil bath.
 Primary seal: Silicon carbide on silicon carbide
 Secondary seal: Silicon carbide on silicon carbide

Bearings

Upper bearing: Single-row deep groove ball bearing.
 Lower bearing: Double angular contact ball bearing.

Discharge Connections

2 1/2", 3" (standard), 4" hose connections.
 2 1/2", 3", 4" G/B.S.P. threaded connections.



Weight (without cable)

41 kg

Options and Accessories

AquaPlug • Level sensor • Service data kit
 Zinc anodes • Surface protection coating
 Floatation ring
 Discharge connection accessories and hose

Pump control Features	XJS 40	XJS 40 AT				Service Data Read out
		AT	AT + Level Sensor	AT + AquaPlug	AT + AquaPlug + Level Sensor	
Run mode	•	•	•	•	•	
Integrated start equipment	•	•	•	•	•	
Automatic direction of rotation		•	•	•	•	
Motor protection high temp	•	•	•	•	•	•
Motor protection high amp		•	•	•	•	•
Protection against missing phase		•	•	•	•	•
Level control			•		•	
Dry run protection			•	•	•	
Automatic restarting			•	•	•	
Stop mode				•	•	
E-mode (Automatic stop/run)				•	•	
Indication of water in oil				•	•	•
Indication of low motor insulation				•	•	•
Indication of high or low voltage				••	••	•
Indication of high temperature				••	••	•
Indication of high amp				••	••	•
Indication of phase unbalance				••	••	•
USB cable connection		•	•	•	•	•
Crash logg (10 latest)						•
Documentation (spare part list, work-workshop manual)						•

- Fault indication when pump is automatically stopped to protect the motor.

Materials

Description	Material	EN	ASTM
Motor housing	Aluminium	EN 1706:AC-43100	ASTM AISi10mg
Handle	Stainless steel	10088:X5CrNi18-10 (1.4301)	AISI 304
Rotor shaft	Stainless steel	10088:X20Cr13 (1.4021)	AISI 420
Volute	Nodular cast iron	1563:ENGJS-HB150	ASTM A 536-80:60-40-18
Impeller	White cast iron	EN-GJN-HV600(XCr23)	ASTM A 532: Alloy III A
Fasteners	Stainless steel	10088:X5CrNiMo 17122	AISI 316
O-rings	Nitrile rubber		
Coating	2 component epoxy paint 80		

SULZER

abs

Sulzer Pump Solutions AB, Gråbrödersgatan 2, SE-211 22 Malmö, Sweden
 Tel +46 10 4747 000
 www.sulzer.com